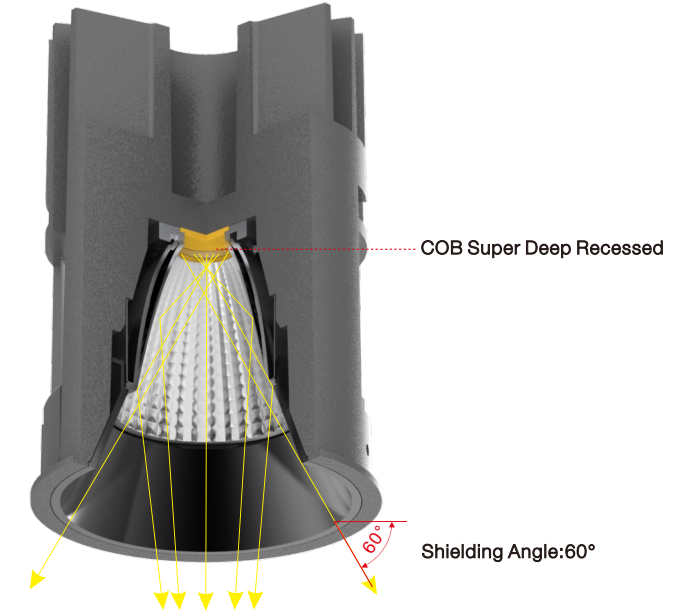
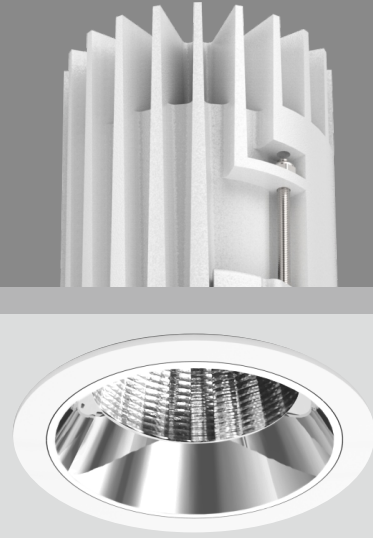


NEKO / VISION / VF68
Fixed Downlight



13W 18W CRI90 2700K 3000K 4000K 18° 40° CITIZEN 50,000h@L80B10 UGR < 19 IP20 5 YEAR WARRANTY CB CE ETL Intertek
 68 1-32mm Ceiling Thickness 100 Ø77

LED Power	System Power	LED Voltage	LED Current	CRI	CCT	Beam	LED Output	System Output	Code		
13 W	15 W	36 V	350 mA	90	2700K	18°	1400lm	1100lm	VF68-9271813N-W		
						40°	1400lm	1100lm	VF68-9274013N-W		
						3000K	18°	1500lm	1200lm	VF68-9301813N-W	
							40°	1500lm	1200lm	VF68-9304013N-W	
							4000K	18°	1600lm	1300lm	VF68-9401813N-W
								40°	1600lm	1300lm	VF68-9404013N-W
18 W	21 W	36 V	500 mA	90	2700K	18°	1900lm	1500lm	VF68-9271818N-W		
						40°	1900lm	1500lm	VF68-9274018N-W		
						3000K	18°	2000lm	1600lm	VF68-9301818N-W	
							40°	2000lm	1600lm	VF68-9304018N-W	
							4000K	18°	2200lm	1700lm	VF68-9401818N-W
								40°	2200lm	1700lm	VF68-9404018N-W
13 W	15 W	36 V	350 mA	90	2700K	18°	1400lm	1100lm	VF68-9271813N-WM		
						40°	1400lm	1100lm	VF68-9274013N-WM		
						3000K	18°	1500lm	1200lm	VF68-9301813N-WM	
							40°	1500lm	1200lm	VF68-9304013N-WM	
							4000K	18°	1600lm	1300lm	VF68-9401813N-WM
								40°	1600lm	1300lm	VF68-9404013N-WM
18 W	21 W	36 V	500 mA	90	2700K	18°	1900lm	1500lm	VF68-9271818N-WM		
						40°	1900lm	1500lm	VF68-9274018N-WM		
						3000K	18°	2000lm	1600lm	VF68-9301818N-WM	
							40°	2000lm	1600lm	VF68-9304018N-WM	
							4000K	18°	2200lm	1700lm	VF68-9401818N-WM
								40°	2200lm	1700lm	VF68-9404018N-WM
13 W	15 W	36 V	350 mA	90	2700K	18°	1400lm	1100lm	VF68-9271813N-WB		
						40°	1400lm	1100lm	VF68-9274013N-WB		
						3000K	18°	1500lm	1200lm	VF68-9301813N-WB	
							40°	1500lm	1200lm	VF68-9304013N-WB	
							4000K	18°	1600lm	1300lm	VF68-9401813N-WB
								40°	1600lm	1300lm	VF68-9404013N-WB
18 W	21 W	36 V	500 mA	90	2700K	18°	1900lm	1500lm	VF68-9271818N-WB		
						40°	1900lm	1500lm	VF68-9274018N-WB		
						3000K	18°	2000lm	1600lm	VF68-9301818N-WB	
							40°	2000lm	1600lm	VF68-9304018N-WB	
							4000K	18°	2200lm	1700lm	VF68-9401818N-WB
								40°	2200lm	1700lm	VF68-9404018N-WB



Specular Reflector



Matt Reflector



Black Reflector



Chrome Black Reflector



White Reflector



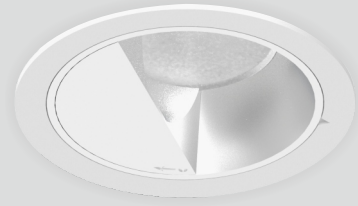
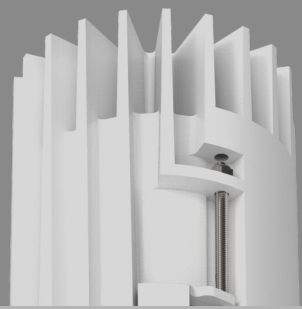
Gold Reflector

13 W	15 W	36 V	350 mA	90	2700K	18°	1400lm	1100lm	VF68-9271813N-WC
					3000K	18°	1400lm	1100lm	VF68-9274013N-WC
					4000K	18°	1500lm	1200lm	VF68-9301813N-WC
				40°		1500lm	1200lm	VF68-9304013N-WC	
					4000K	18°	1600lm	1300lm	VF68-9401813N-WC
				40°		1600lm	1300lm	VF68-9404013N-WC	
18 W	21 W	36 V	500 mA	90	2700K	18°	1900lm	1500lm	VF68-9271818N-WC
					3000K	18°	1900lm	1500lm	VF68-9274018N-WC
					4000K	18°	2000lm	1600lm	VF68-9301818N-WC
				40°		2000lm	1600lm	VF68-9304018N-WC	
					4000K	18°	2200lm	1700lm	VF68-9401818N-WC
				40°		2200lm	1700lm	VF68-9404018N-WC	
13 W	15 W	36 V	350 mA	90	2700K	18°	1400lm	1100lm	VF68-9271813N-WWW
					3000K	18°	1400lm	1100lm	VF68-9274013N-WWW
					4000K	18°	1500lm	1200lm	VF68-9301813N-WWW
				40°		1500lm	1200lm	VF68-9304013N-WWW	
					4000K	18°	1600lm	1300lm	VF68-9401813N-WWW
				40°		1600lm	1300lm	VF68-9404013N-WWW	
18 W	21 W	36 V	500 mA	90	2700K	18°	1900lm	1500lm	VF68-9271818N-WWW
					3000K	18°	1900lm	1500lm	VF68-9274018N-WWW
					4000K	18°	2000lm	1600lm	VF68-9301818N-WWW
				40°		2000lm	1600lm	VF68-9304018N-WWW	
					4000K	18°	2200lm	1700lm	VF68-9401818N-WWW
				40°		2200lm	1700lm	VF68-9404018N-WWW	
13 W	15 W	36 V	350 mA	90	2700K	18°	1400lm	1100lm	VF68-9271813N-WG
					3000K	18°	1400lm	1100lm	VF68-9274013N-WG
					4000K	18°	1500lm	1200lm	VF68-9301813N-WG
				40°		1500lm	1200lm	VF68-9304013N-WG	
					4000K	18°	1600lm	1300lm	VF68-9401813N-WG
				40°		1600lm	1300lm	VF68-9404013N-WG	
18 W	21 W	36 V	500 mA	90	2700K	18°	1900lm	1500lm	VF68-9271818N-WG
					3000K	18°	1900lm	1500lm	VF68-9274018N-WG
					4000K	18°	2000lm	1600lm	VF68-9301818N-WG
				40°		2000lm	1600lm	VF68-9304018N-WG	
					4000K	18°	2200lm	1700lm	VF68-9401818N-WG
				40°		2200lm	1700lm	VF68-9404018N-WG	

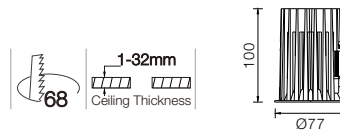
Code Remark: N=N(No Driver) F=F(ON-OFF) P=P(Phase Dim) A=A(1-10V Dim) D=D(DALI Dim)

Code Remark: N=N(No Driver) F=F(ON-OFF) P=P(Phase Dim) A=A(1-10V Dim) D=D(DALI Dim)

NEKO / VISION / VW68
Wall Washer Downlight



13W 18W CRI90 2700K 3000K 4000K CITIZEN 50,000h@L80B10 UGR < 19 IP20 5 YEAR GUARANTEE CB CE ETL Intertek



Matt Reflector

LED Power	System power	LED Voltage	LED Current	CRI	CCT	Beam	LED Output	System Output	Code
13 W	15 W	36 V	350 mA	90	2700K	Wall Washer	1400lm	780lm	VW68-927WW13N-WM
						3000K Wall Washer	1500lm	820lm	VW68-930WW13N-WM
						4000K Wall Washer	1600lm	900lm	VW68-940WW13N-WM
18 W	21 W	36 V	500 mA	90	2700K	Wall Washer	1900lm	1000lm	VW68-927WW18N-WM
						3000K Wall Washer	2000lm	1100lm	VW68-930WW18N-WM
						4000K Wall Washer	2200lm	1200lm	VW68-940WW18N-WM

Code Remark: N=N(No Driver) F=F(ON-OFF) P=P(Phase Dim) A=A(1-10V Dim) D=D(DALI Dim)

