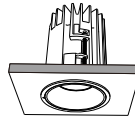


# VF68 VW68

## LED Downlight

### Installation Instructions



# NEKO

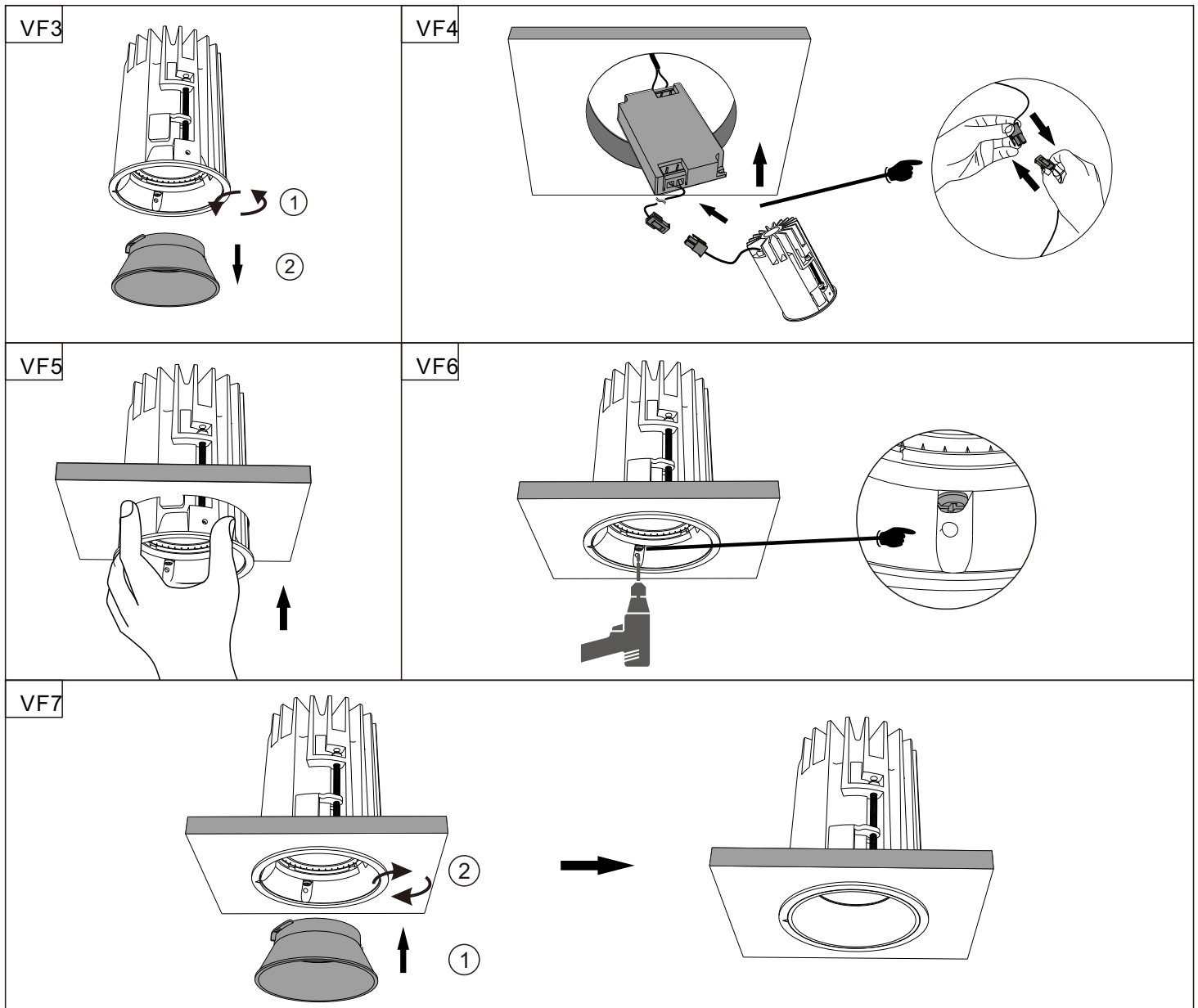
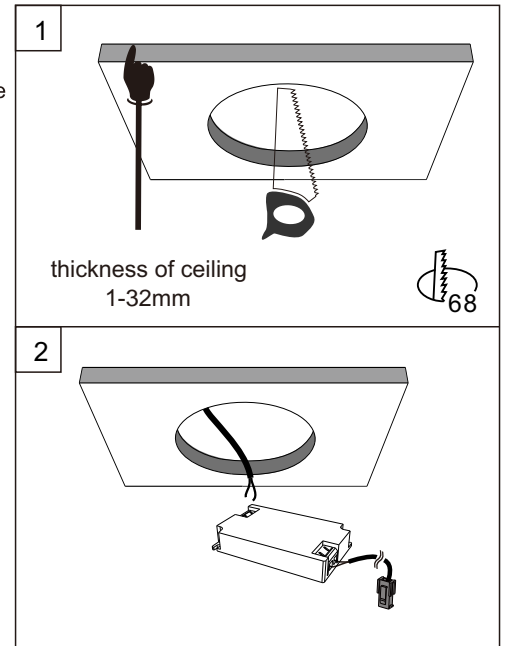
Please read these instructions carefully before commencing installation and retain for future reference. If in doubt, we advise that you consult a qualified electrician to install the product. These products must not be modified. If any modification is made it may invalidate the warranty and may render the product unsafe. All electrical installations must be carried out according to current IEE Wiring Regulations.

#### Important safety Notes

1. Switch off the electricity at the mains before commencing installation or lamp change and (if a fuse box is used) remove the appropriate circuit fuse to avoid accidental switching on of the mains supply.
2. Connect to a 220V-240V supply in accordance with IEE regulations.
3. Make sure all connections are tight with no loose strands.
4. Ensure fire regulations are not breached when fitting your lights.
5. If you are in any doubt regarding these instructions, consult a qualified electrician.

#### Warning:

1. For indoor use only
2. Please carefully choose a location for disposal of the flammable package.
3. Do not use defected cable.
4. We do recommend that a qualified electrician should be used to install the products.
5. Do not look at the lighted lamp directly.



# Wall Washer

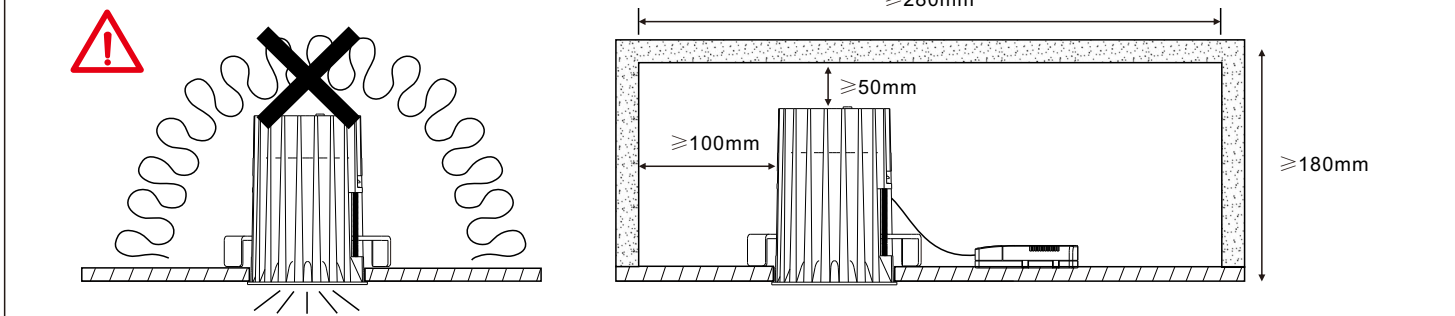
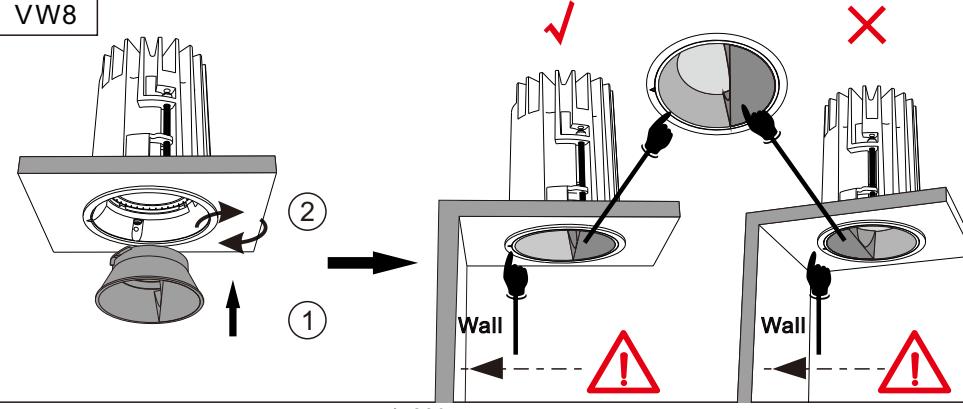
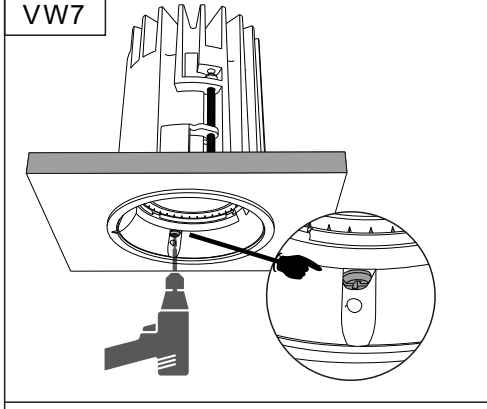
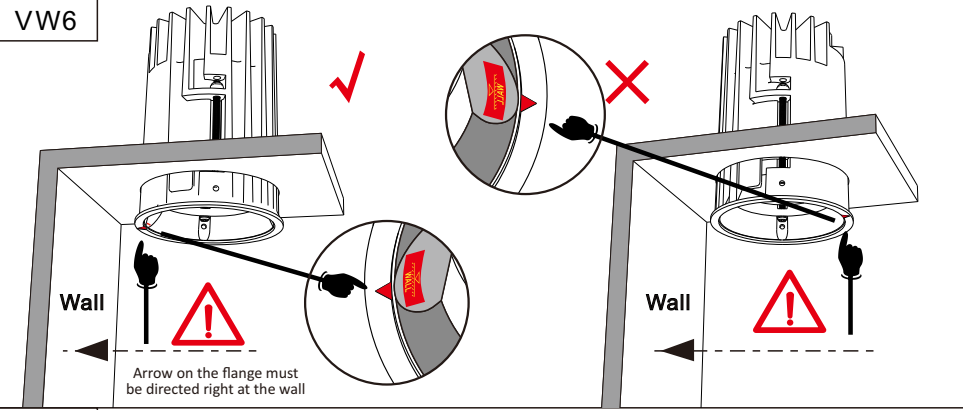
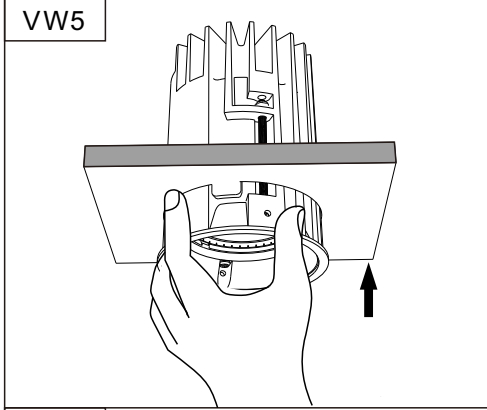
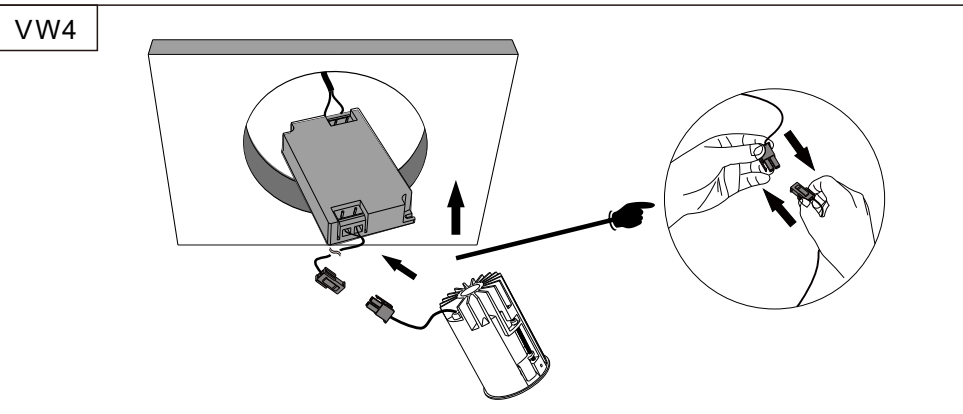
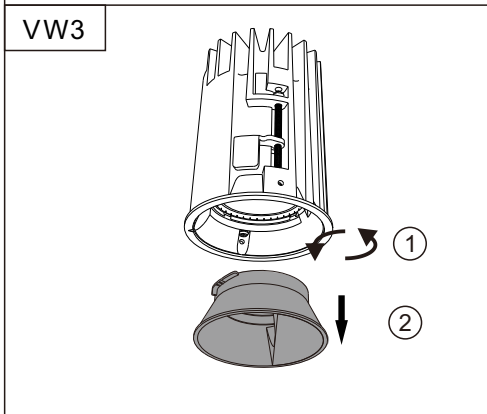


Table 1 - Suggestions on Installation Distance for Uniform Lighting Effects

MODEL	X(mm) L(mm)		500 mm	550 mm	600 mm	650 mm	700 mm	750 mm	800 mm	850 mm	900 mm	950 mm	1000 mm	1050 mm	1100 mm	1150 mm	1200 mm
	V68W			500 mm	550 mm	600 mm	650 mm	700 mm	750 mm	800 mm	850 mm	900 mm	950 mm	1000 mm	1050 mm	1100 mm	1150 mm