

This product contains a light source of energy efficiency class: F

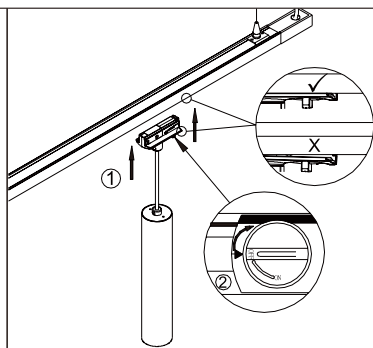
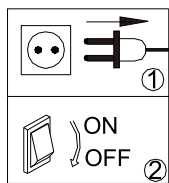
The light source and control gear of this luminaire are replaceable only by a qualified person or manufacturer.

	<p>EN To secure safety, a qualified electrician is required to install/remove the luminaire.</p>	<p>IT Per garantire massima sicurezza, far eseguire il lavoro di installazione/rimozione della lampada da un elettricista specializzato.</p>	
	<p>DE Aus Sicherheitsgründen ist der Einbau/Ausbau dieser Leuchte nur durch eine Elektrofachkraft vorzunehmen.</p>	<p>ES Para asegurar la seguridad, se requiere un electricista cualificado para instalar / retirar la luminaria.</p>	
	<p>FR Afin de garantir la sécurité du luminaire, celui-ci doit être installé ou retiré par un électricien qualifié.</p>	<p>PT Para a sua segurança, um eletricista qualificado deve atuar na instalação/remoção da luminária.</p>	
	<p>EN The luminaire is used exclusively for lighting and is to be installed/ removed in accordance with IEEE regulations and installation instructions.</p>	<p>IT La lampada va utilizzata esclusivamente per funzioni di illuminazione e va installata/rimossa ai sensi dei regolamenti IEEE e delle istruzioni di installazione.</p>	
	<p>DE Die Leuchte ist ausschliesslich für Beleuchtungszwecke vorgesehen. Der Einbau/Ausbau hat gemäss den einschlägigen nationalen Richtlinien und Vorschriften sowie den beiliegenden Montageanweisungen zu erfolgen.</p>	<p>ES La luminaria se utiliza exclusivamente para iluminar y tiene que instalarse / retirarse de acuerdo con las instrucciones de instalación y las normativas de la IEEE.</p>	
	<p>FR Le luminaire ne doit être utilisé qu'à des fins d'éclairage et doit être installé ou retiré conformément aux réglementations relatives aux DEEE et aux instructions d'installation.</p>	<p>PT A luminária é utilizada exclusivamente para iluminação e deve ser instalada/removida de acordo Com as regulações e instruções de instalações IEEE.</p>	

<p>Caution, risk of electric shock.</p>	<p>1</p>	<p>Please make sure that the "Groove" on the section of track lines up with the "Groove" on the track adaptor - failure to do so can potentially damage the track adaptor and void any warranty.</p> <p>3</p>
	<p>Switch to "OFF" aligned with the "▶" at first, put the adaptor into the track. Then turn the knob to the position which "ON" aligned with the "▶".</p> <p>2</p>	
	<p>5</p>	
	<p>Step for Removing Luminaires</p> <p>1. Turn the knob to the position which "OFF" aligned with the "▶".</p> <p>2. Take off the Adaptor from the track slantingly.</p>	



Caution, risk of electric shock.

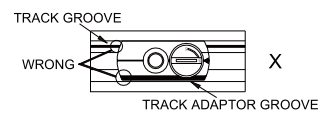
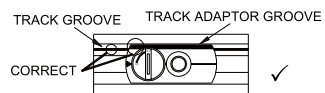


Switch to "OFF" aligned with the "►" at first, put the adaptor into the track. Then turn the knob to the position which "ON" aligned with the "►".

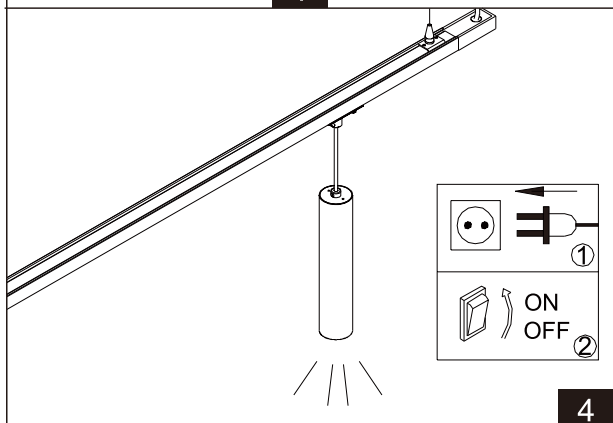
1

2

Please make sure that the "Groove" on the section of track lines up with the "Groove" on the track adaptor - failure to do so can potentially damage the track adaptor and void any warranty.



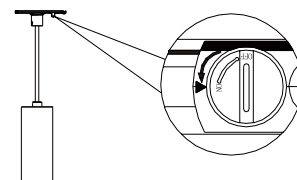
3



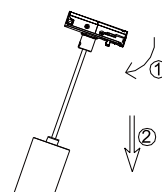
4

Step for Removing Luminaires

1. Turn the knob to the position which "OFF" aligned with the "►".



2. Take off the Adaptor from the track slantingly.



5