

# NEKO / FUSION Linear System

## Linear Light module

### Up Light Module

UL1200-11W/ UL1800-16W



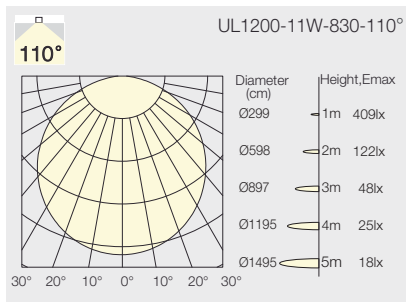
11W CRI80 2700K 50,000h **CB** **CE**

16W CRI90 3000K 4000K 15.5 1070/ 1605

LED Power	System Power	LED Voltage	LED Current	CRI	CCT	Beam	LED Output	System Output	Model
11 W	13 W	46 V	250 mA	80	2700K	110°	1700lm	1500lm	UL1200-11W-827-110°
					3000K	110°	1800lm	1600lm	UL1200-11W-830-110°
					4000K	110°	1900lm	1700lm	UL1200-11W-840-110°
16 W	18 W	46 V	350 mA	80	2700K	110°	2300lm	2000lm	UL1800-16W-827-110°
					3000K	110°	2500lm	2200lm	UL1800-16W-830-110°
					4000K	110°	2700lm	2400lm	UL1800-16W-840-110°

### Light Distribution

3000K



For more info see: [www.nekolighting.com](http://www.nekolighting.com)